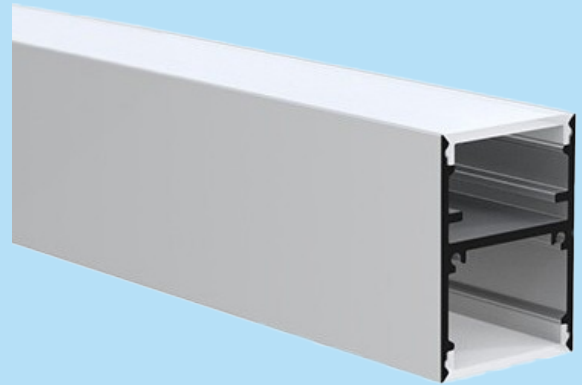


ProfLUX 13

TECHNICAL DATA SHEET

L: 2m/3m

- Suspended profile for LED strip system with up and down light distribution
- Light Distribution: Direct/Indirect
- Optical System: Opal polycarbonate diffuser
- Housing: Aluminium
- Colour: Silver

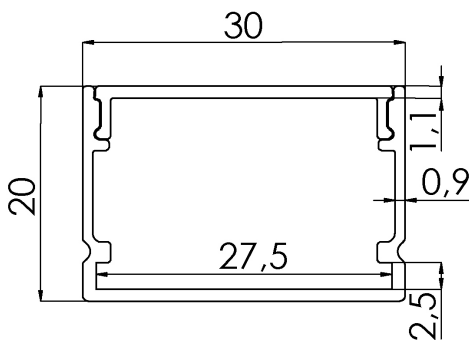


TECHNICAL DATA

Dimensions, mm: L:2000mm/3000mm W:25mm H:35mm

Quantity in package, pcs: 1

TECHNICAL DRAWING



OPTIONS

	PART CODE
2000mm	/2000
3000mm	/3000

EXAMPLE PART CODE: PRLX13/2000

Note: Tolerance range for optical and electrical data: $\pm 10\%$. 4C LIGHTING SOLUTIONS is constantly developing and improving its products. The right is reserved to change any product specifications without prior notification.