

DownLUX 2

TECHNICAL DATA SHEET

Diameter: 130mm

- LED Downlights
- Light Distribution: Direct
- Optical System: Aluminium Reflector
- Housing: Aluminium
- Colour: White



ELECTRICAL DATA

Main Voltage:	220-240V, 0/50/60Hz
Power Factor:	>0,95
Integrated Sensor:	Available

System power*, W:	8w to 40w
Control gear:	ECG On/off or Dali

LIGHTING DATA

Luminaire output*,lm(ta+25°C):	1000lm to 4550lm
CRI (Ra):	80+, CRI90 on request
SDCM:	3
Distribution Type:	Direct
UGR Index:	<21

System efficacy, lm/W:	Up to 135
CCT, K:	3000 to 4000
Light Distribution:	Direct
Beam angle, °:	40
LED lifetime, h:	50000/L80F10

TECHNICAL DATA

Dimensions, mm:	D:130 H:99
Net weight, kg:	0.5

Quantity in package, pcs:	1
---------------------------	---

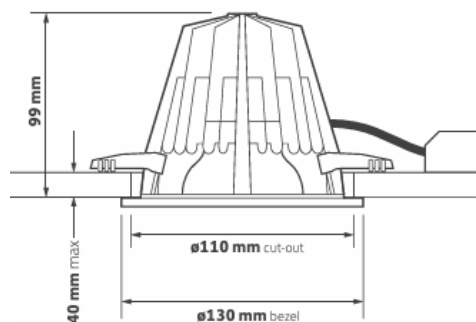
STANDARDS

Operating temperature range, °C:	ta -25...+35
Ingress protection code:	IP20

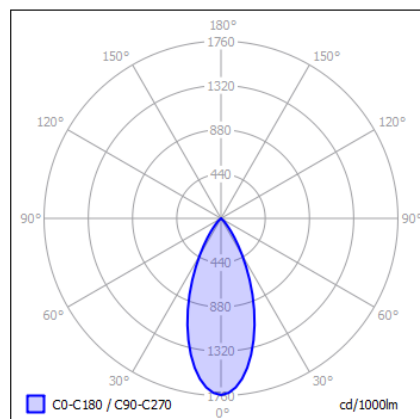
Mechanical impact resistance:	IK02
Certificates:	CE, ROHS

Note: Tolerance range for optical and electrical data: $\pm 10\%$. 4C LIGHTING SOLUTIONS is constantly developing and improving its products. The right is reserved to change any product specifications without prior notification.

TECHNICAL DRAWING



LIGHT DISTRIBUTION CURVE



PRODUCTS

COLOUR (K)	LUMINAIRE OUTPUT (LLM)	POWER (W)	EFFICACY (LLM/W)	PART CODE
3000	1000	8	125	DLX2/1000/3K
3000	1750	13.5	130	DLX2/1800/3K
3000	2425	19	128	DLX2/2400/3K
3000	3250	27	120	DLX2/3300/3K
3000	4375	40	109	DLX2/4400/3K
4000	1050	8	131	DLX2/1100/4K
4000	1825	13.5	135	DLX2/1800/4K
4000	2525	19	133	DLX2/2500/4K
4000	3375	27	125	DLX2/3400/4K
4000	4450	40	154	DLX2/4600/4K

OPTIONS

	PART CODE
DALI driver	/DD
3 Hour emergency	/E3S
3 hour DALI emergency	/E3D
4C MESH	/MM
4C MESH with Sensor	/MMS
Integrated DALI sensor	/IDS

	PART CODE
IP65 Bezel	/65
IP54 Glass	/54
50 deg Faceted reflector	/50D
40 deg Specular reflector	/40S
Slimline Bezel	/SL

EXAMPLE PART CODE: DLX2/1100/4K/DD/E3D

Note: Tolerance range for optical and electrical data: ±10%. 4C LIGHTING SOLUTIONS is constantly developing and improving its products. The right is reserved to change any product specifications without prior notification.

DownLUX 2

OPTIONS AND ACCESSORIES



MLS/DL/001
25° multi-faceted reflector



MLS/DL/002
60° multi-faceted reflector



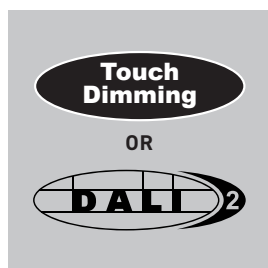
MLS/DL/003
40° specular reflector



MLS/DL/004
50° satin etched reflector



MLS/DL/005
High colour rendering LED module



MLS/DL/006
Touch dimming or DALI control gear



MLS/DL/007
Casambi wireless network including dimming



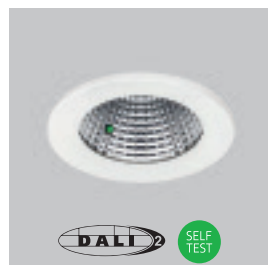
MLS/DL/008
Emergency Remote indicator



MLS/DL/009
DALI / Self test EM Remote indicator



MLS/DL/010
Emergency Integral indicator



MLS/DL/011
DALI / Self test EM Integral indicator



MLS/DL/012
White RAL9010



MLS/DL/013
Brilliant White RAL9016



MLS/DL/014
Black RAL9005



MLS/DL/015
Grey RAL9006



MLS/DL/016
White IP65 / IK10 bezel*
Clear polycarbonate



MLS/DL/017
Slimline bezel
Brilliant white RAL9016*



MLS/DL/018
Anti-tamper bezel
White RAL 9010*

* Full range of finishes available - Contact Sales Team

DownLUX 2

OPTIONS AND ACCESSORIES



MLS/DL/019
Plaster-in kit
Cut-out: 140 mm
Height: 138 mm



MLS/DL/020
White bezel*
Dropped clear halo



MLS/DL/021
White bezel*
Dropped opal halo



MLS/DL/022
Frost snoot



MLS/DL/023
Blue snoot



MLS/DL/024
Black snoot



MLS/DL/025
Frost Hi-light



MLS/DL/026
Blue Hi-light



MLS/DL/027
Frost Neo



MLS/DL/028
Blue Neo



MLS/DL/029
IP54 clear glass



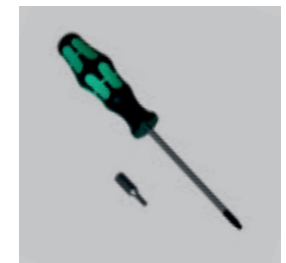
MLS/DL/030
IP54 centre etched glass



MLS/DL/031
IP54 fully etched glass



MLS/DL/032
White concealer plate*
Max. cut-out 150 mm



MLS/DL/015
Anti-tamper driver
Anti-tamper bit



MLS/DL/033
Wireless Casambi
single wall switch



MLS/DL/034
Wireless Casambi
twin wall switch

* Full range of finishes available - Contact Sales Team