

DownLUX 1

TECHNICAL DATA SHEET

Diameter: 195mm

- LED Downlights
- Light Distribution: Direct
- Optical System: Satin Etch Reflector
- Housing: Aluminium
- Colour: White



ELECTRICAL DATA

Main Voltage:	220-240V, 0/50/60Hz
Power Factor:	>0,95
Integrated Sensor:	Available

System power*, W:	10w to 26.5w
Control gear:	ECG On/off or Dali

LIGHTING DATA

Luminaire output*,lm(ta+25°C):	1150lm to 2850lm
CRI (Ra):	80+, CRI90 on request
SDCM:	3
Distribution Type:	Direct
UGR Index:	<19

System efficacy, lm/W:	Up to 114
CCT, K:	3000 to 4000
Light Distribution:	Direct
Beam angle, °:	60
LED lifetime, h:	50000/L80B10

TECHNICAL DATA

Dimensions, mm:	D:195 H:112
Net weight, kg:	1.8

Quantity in package, pcs:	1
---------------------------	---

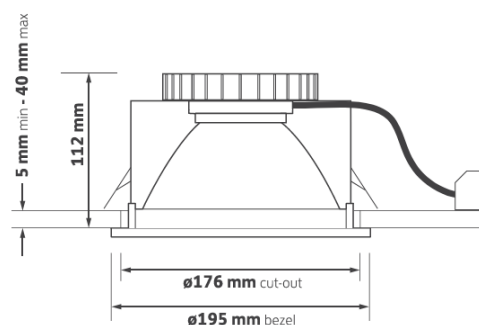
STANDARDS

Operating temperature range, °C:	ta0...+35
Ingress protection code:	IP40

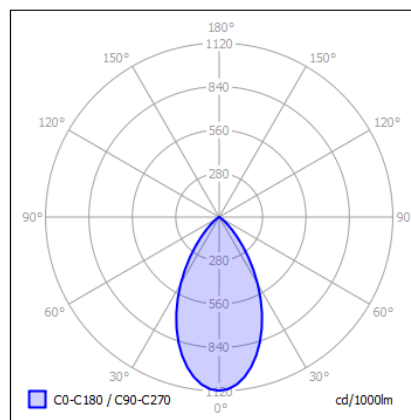
Mechanical impact resistance:	IK05
Certificates:	CE, ROHS

Note: Tolerance range for optical and electrical data: $\pm 10\%$. 4C LIGHTING SOLUTIONS is constantly developing and improving its products. The right is reserved to change any product specifications without prior notification.

TECHNICAL DRAWING



LIGHT DISTRIBUTION CURVE



PRODUCTS

COLOUR (K)	LUMINAIRE OUTPUT (LLM)	POWER (W)	EFFICACY (LLM/W)	PART CODE
3000	1139	11.1	103	DLLX1/1100/3K
3000	1881	19.4	97	DLLX1/1900/3K
3000	2677	26.4	102	DLLX1/2700/3K
4000	1052	9.9	107	DLLX1/1100/4K
4000	1858	18.2	102	DLLX1/1900/4K
4000	2820	26.4	107	DLLX1/2800/4K

OPTIONS

	PART CODE
DALI driver	/DD
3 Hour emergency	/E3S
3 hour DALI emergency	/E3D
4C MESH	/MM
4C MESH with Sensor	/MMS

	PART CODE
Integrated DALI sensor	/IDS
IP65 Bezel	/65
IP54 Glass	/54
50 deg Fated reflector	/50D
40 deg Specular reflector	/40S

EXAMPLE PART CODE: DLLX1/1100/4K/DD/E3D

Note: Tolerance range for optical and electrical data: ±10%. 4C LIGHTING SOLUTIONS is constantly developing and improving its products. The right is reserved to change any product specifications without prior notification.

DownLUX 1

OPTIONS AND ACCESSORIES



MLS/DL/001
25° multi-faceted
reflector



MLS/DL/002
60° multi-faceted
reflector



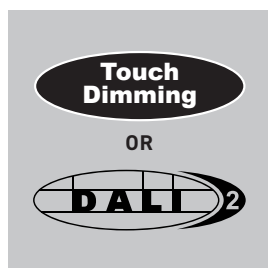
MLS/DL/003
40° specular
reflector



MLS/DL/004
50° satin etched
reflector



MLS/DL/005
High colour rendering
LED module



MLS/DL/006
Touch dimming or DALI
control gear



MLS/DL/007
Casambi wireless network
including dimming



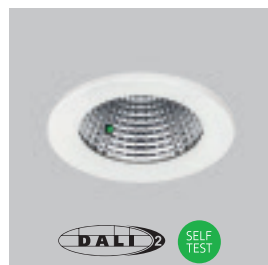
MLS/DL/008
Emergency
Remote indicator



MLS/DL/009
DALI / Self test EM
Remote indicator



MLS/DL/010
Emergency
Integral indicator



MLS/DL/011
DALI / Self test EM
Integral indicator



MLS/DL/012
White RAL9010



MLS/DL/013
Brilliant White RAL9016



MLS/DL/014
Black RAL9005



MLS/DL/015
Grey RAL9006



MLS/DL/016
White IP65 / IK10 bezel*
Clear polycarbonate



MLS/DL/017
Slimline bezel
Brilliant white RAL9016*



MLS/DL/018
Anti-tamper bezel
White RAL 9010*

* Full range of finishes available -
Contact Sales Team

DownLUX 1

OPTIONS AND ACCESSORIES



MLS/DL/019
Plaster-in kit
Cut-out: 140 mm
Height: 138 mm



MLS/DL/020
White bezel*
Dropped clear halo



MLS/DL/021
White bezel*
Dropped opal halo



MLS/DL/022
Frost snoot



MLS/DL/023
Blue snoot



MLS/DL/024
Black snoot



MLS/DL/025
Frost Hi-light



MLS/DL/026
Blue Hi-light



MLS/DL/027
Frost Neo



MLS/DL/028
Blue Neo



MLS/DL/029
IP54 clear glass



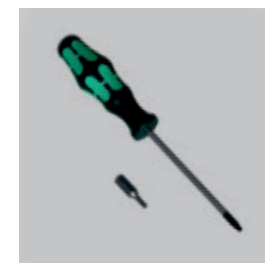
MLS/DL/030
IP54 centre etched glass



MLS/DL/031
IP54 fully etched glass



MLS/DL/032
White concealer plate*
Max. cut-out 150 mm



MLS/DL/015
Anti-tamper driver
Anti-tamper bit



MLS/DL/033
Wireless Casambi
single wall switch



MLS/DL/034
Wireless Casambi
twin wall switch

* Full range of finishes available - Contact Sales Team