

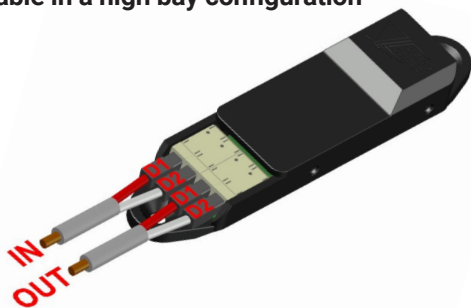
DALI MICRO PIR



The DaliLUX Micro PIR is a sensor for automatic lighting control. It detects movement using a PIR sensor, which updates the light controller using a DALI interface. When an area is no longer occupied, the device times out after a configurable period.

This detector features our Progressive Sensitivity function to eliminate false triggering. There is also an integral lux detector, enabling the sensor to control daylight linking. Daylight linking can be configured either to keep lights off when there is sufficient ambient light, or used as part of a closed loop to maintain a pre-set luminance level in a dimmable system.

Also available in a high bay configuration

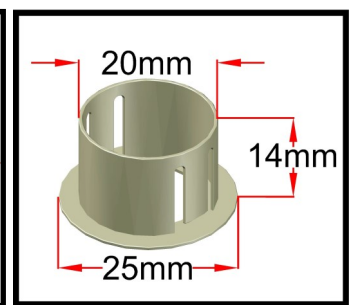
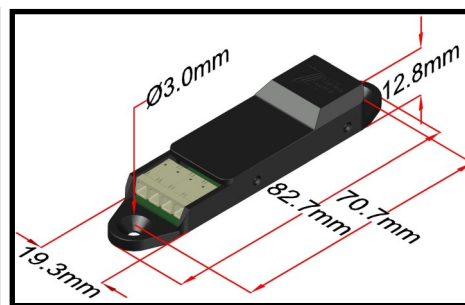
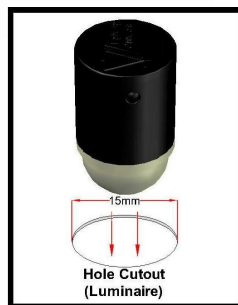
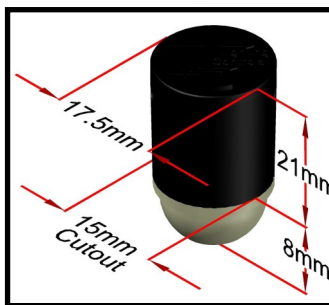


Part Number:

DLLX-DALIMICROPIR White
DLLX-DALIMICROPIR/BLK Black

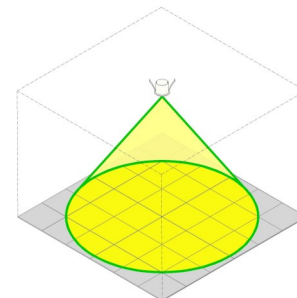


- Connected via a cage clamp on the rear in a standard DALI two wire configuration
- Powered from the DALI line
- When using the lux detector, an extra DALI address is assigned to the unit
- The device ID is randomised during commissioning and there is a visual alert showing when a device has not been addressed
- The walk-test mode, indicated by a built-in LED, assists when configuring the detector



Supply voltage	10-18 VDC
Power Consumption	120mW
Field comms	6m at 2.8m ceiling height
Max number of devices (2-wire connection)	10
Fitting hole size	Ceiling mounted: 20mm (with bezel) Mounted in luminaire: 15mm
Temperature range	-10°C to 35°C
Max humidity	90% CH (non-condensing)

Detection Range 6m at 2.8m Ceiling Height



IMPORTANT: Information contained in this datasheet is subject to change at any time without notice. Installation guides are available - call us on 020 087 8084.