

DALI LCM WITH 10 SWITCHING RELAYS



Our DaliLUX RL10 LCM uses DALI protocol to control addressable DALI luminaires and switched loads via 10 pluggable connections. All ten channels also incorporate switching relays for the control of non-DALI fitting and lighting can be programmed into groups with multiple group capability. There is an emergency test facility via a permanent live relay. 6 pole plug connections for luminaire wiring and RJ12 for CAN devices. The enclosure has been designed for ease of installation and has 'Z' bolt fixing rails on the rear. All the connections to the unit can be pre-wired for installation. A removable memory module facilitates fast configuration of a replacement LCM should that be needed.

Network Isolation

This LCM has two isolated networks. The field wiring CAN bus which networks the LCMs is isolated from the peripheral bus which connects PIRs and scene plates. Should a wiring problem occur on one LCM peripheral, it will not affect other LCMs. Should field wiring become compromised then LCMs will stand alone and continue to function. .

Max no. of Scene Plates/ PIRs	10
Inputs	8 clean contact
Field comms	CAN bus, 2 internal screw terminals
Local comms	CAN bus 3 x RJ12 pre-terminated
Luminaire connection	6 way, switched Live (ports 6-10), Earth, Neutral, Em Live, Dim- Dim+
Configuration memory (removable)	256K (non-volatile)
Supply voltage	90-240 V AC 50Hz
Power consumption	Off load - 1.2 watts All channels ON - 4 watts
Internal fuse	1AT
Load (total)	10A
Load per channel	6A
Case material	Flame retardant ABS
Operating Temp	-10°C to +50°C
Max Humidity	90% RH non-condensing

Part Number:

DLLX/LCM/RL10

Black

DLLX/LCM/RL10/WH

White

Luminaire Plugs:

DLLX-6PMPBB/B

Black

DLLX-6PMPBB/WH

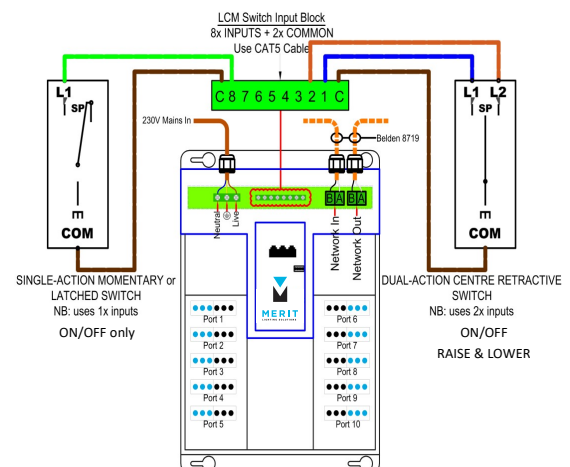
White

DLLX-6PMPBB/R

Emergency



- Switching relays for all channels
- CAN booster ready
- Emergency Test relay
- 10x 6-pole sockets for luminaire wiring.
- 2x hard-wired CAN bus connections.
- 3x RJ12 connections for PIRs and Scene Plates.
- 10-pin hardwired connector for 8 volt-free inputs.
- Single mains supply and 2 core CAN bus connections
- The LCM is not powered from the bus and requires a permanent mains supply from the relevant lighting circuit.
- All ports able to individually address luminaires.



IMPORTANT: Information contained in this datasheet is subject to change at any time without notice. Installation guides are available - call us on 020 087 8084.