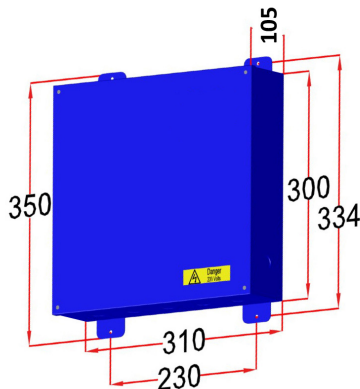


DALI GATEWAY



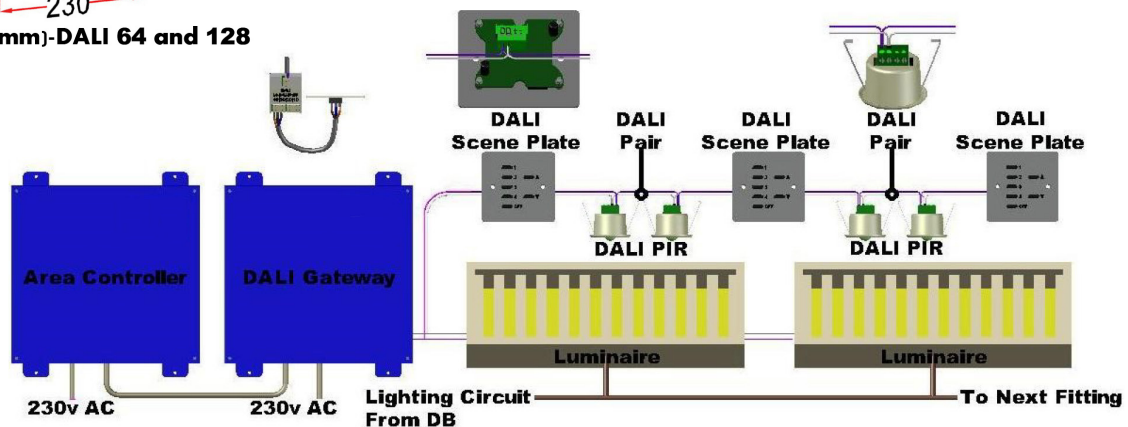
The DaliLUX DALI64 Gateway Module provides an interface between DALI lighting products and our addressable control system. The module acts as a fully functional DALI controller with 64 individually programmable addresses such as a luminaire, emergency inverter, PIR sensor, controlled relay, scene set plate or 4IP input device. The module is DIN rail mounted and enclosed in a steel powder coated enclosure wired to industry standard terminals. The enclosure can be supplied with a 20A 5-pole female connection for a modular solution. Other versions with multiple gateway modules are available. A removable memory module facilitates fast configuration of a replacement module should that be required.

Part Number:
DLLX-DALI 64
DLLX-DALI 128
DLLX-DALI 192
DLLX-DALI 256
Other Variations available



Dimensions (mm)-DALI 64 and 128

- Max 64 individually addressable DALI devices
- Supports luminaires with multiple ballasts
- Control and fault feedback indication per luminaire when used in conjunction with the ecoLUX Head End
- Allows ballasts to be grouped for faster control
- Removable plug-in memory card
- DALI emergency inverter compatible
- All DALI devices require one address except Presence Detectors in light detection mode which require two addresses.



Max Humidity	90% RH non-condensing
Max no. of Scene Plates/ PIRs	15 on 4-wire DALI, 8 on 2-wire DALI
Field comms	CAN Bus internal screw terminals
Local comms	DALI Bus screw terminals
Configuration memory removable)	256K (non-tile)

NOTE: MUST ALLOW 2 ADDRESSES FOR DAYLIGHT LINKING

Operating Voltage	90-220V AC, 50Hz
Power Consumption	1.2Watts
Internal fuse 1AT	IP20
Case material	Powder-coated steel
Operating temperature	-10°C to +50°C

IMPORTANT: Information contained in this datasheet is subject to change at any time without notice. Installation guides are available - call us on 020 087 8084.