

DALI BESA MICRO PIR

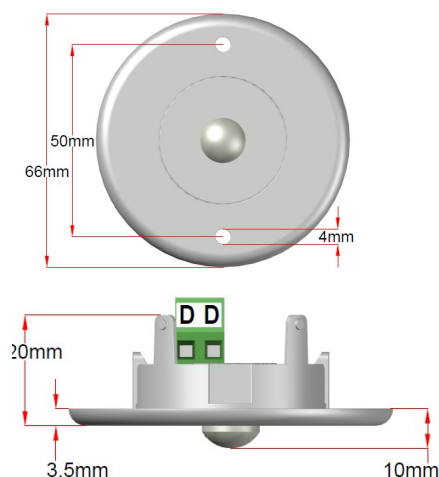


The DaliLUX Besa box mounted DALI PIR is a sensor for automatic lighting control which has been specifically designed for mounting within a Besa system. It detects movement using a PIR sensor, which updates the light controller using a DALI interface. When an area is no longer occupied, the device times out after a configurable period.

This detector features our **Progressive Sensitivity function** to eliminate false triggering and can be used as part of a closed loop to maintain a pre-set luminance level in a dimmable system.

The DALIBESAPIR fits discreetly within a standard 20mm conduit system.

Supplied in white, black and a galvanised finish.



Lux Detector

When using the lux detector, an extra DALI address is assigned to the unit. The device ID is randomised during commissioning and there is a visual alert showing when a device has not been addressed. The walk test mode, indicated by a built in LED, assists when configuring the detector.

Supply voltage	10-18 VDC
Power Consumption	120mW
Range	6m at 2.8m Height
Max number of devices	10
Fitting	Besa mounted
Temperature range	-10°C to 35°C
Max humidity	90% CH (non-condensing)

IMPORTANT: Information contained in this datasheet is subject to change at any time without notice. Installation guides are available - call us on 020 087 8084.

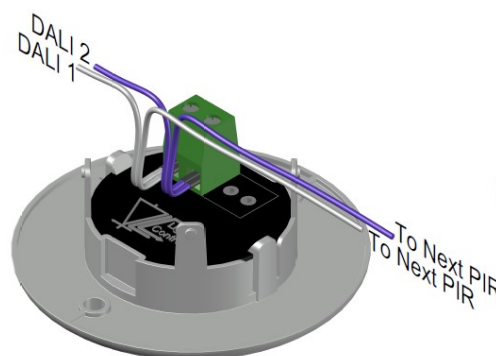
Part Number:

DLLX-DALIBESAPIR2
DLLX-DALIBESAPIR2/BLK
DLLX-DALIBESAPIR2/GALV
DLLX-DALIBESAPIR2/HB

White
Black
Galvanised
High Bay



- Connected via screw terminals on the rear in a standard 2 wire configuration
- Powered from the DALI line, with 1.5mm² 2 core cable



Detection Range 6m at 2.8m Ceiling Height

