

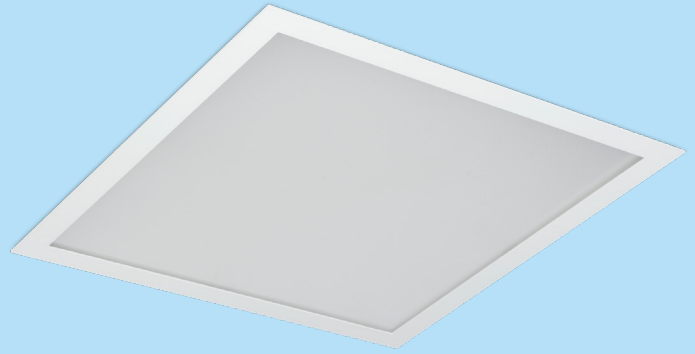
CleanLUX 3

TECHNICAL DATA SHEET

600mm

(other sizes available on request)

- Recessed LED Cleanroom Luminaire
- For areas with extreme requirements
- Light Distribution: Direct
- Optical System: Tempered glass with PMMA prismatic Diffuser
- Housing: Steel
- Colour: White



ELECTRICAL DATA

Main Voltage:	220-240V, 0/50/60Hz
Power Factor:	>0,95
Integrated Sensor:	None

System power*, W:	32w to 42w
Control gear:	ECG On/off or Dali

LIGHTING DATA

Luminaire output*,lm(ta+25°C):	3800lm to 4800lm (other lumen packages available)
CRI (Ra):	80+
SDCM:	3
Distribution Type:	Direct
UGR Index:	<19

System efficacy, lm/W:	Up to 164
CCT, K:	4000 to 6500
Light Distribution:	Direct
Beam angle, °:	106x106
LED lifetime, h:	60000/L80B10

TECHNICAL DATA

Dimensions, mm:	L:620 W:620 H:50
Net weight, kg:	13

Quantity in package, pcs:	1
---------------------------	---

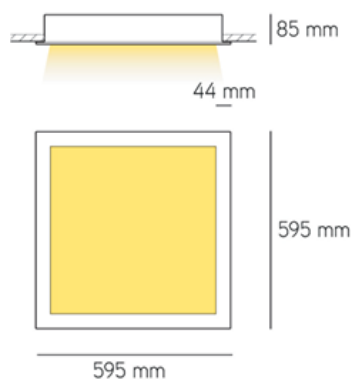
STANDARDS

Operating temperature range, °C:	ta -20...+35
Ingress protection code:	IP65 Front IP54 Rear

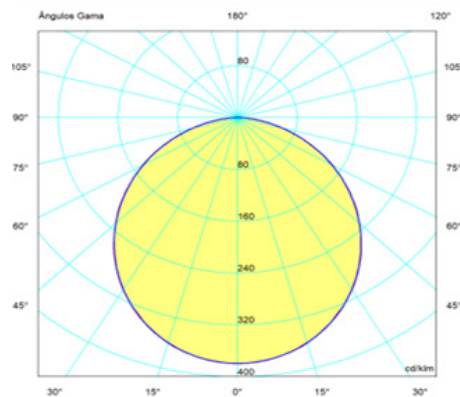
Mechanical impact resistance:	IK10
Certificates:	CE, UKCA, ROHS

Note: Tolerance range for optical and electrical data: $\pm 10\%$. 4C LIGHTING SOLUTIONS is constantly developing and improving its products. The right is reserved to change any product specifications without prior notification.

TECHNICAL DRAWING



LIGHT DISTRIBUTION CURVE



PRODUCTS

COLOUR (K)	LUMINAIRE OUTPUT (LLM)	POWER (W)	EFFICACY (LLM/W)	PART CODE
4000	3841	32	120	CLLX3/3800/4K
4000	4843	42	115	CLLX3/4800/4K
6500	3804	32	119	CLLX3/5500/6K
6500	4797	42	114	CLLX3/4800/6K

OPTIONS

	PART CODE		PART CODE
DALI driver	/DD	4C MESH	/MM
3 Hour emergency	/E3S	4C MESH with Sensor	/MMS
3 hour DALI emergency	/E3D	Integrated DALI sensor	/IDS

EXAMPLE PART CODE: CLLX3/3300/4K/DD/E3D

Note: Tolerance range for optical and electrical data: $\pm 10\%$. 4C LIGHTING SOLUTIONS is constantly developing and improving its products. The right is reserved to change any product specifications without prior notification.