

# CAN BESA PIR



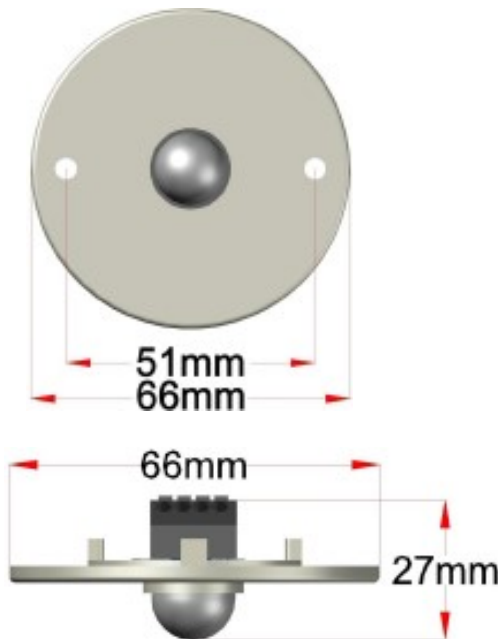
The DaliLUX Besa box mounted CAN micro PIR is a sensor for automatic lighting control which has been specifically designed for mounting within a Besa system. It detects movement using a PIR sensor, which updates the LCM using a CAN interface. When an area is no longer occupied, the device times out after a configurable period.

This detector features our Progressive Sensitivity function to eliminate false triggering and can be used as part of a closed loop to maintain a pre-set luminance level in a dimmable system. The CANBESAPIR fits discreetly within a standard 20mm conduit system. Supplied in white, black and a galvanised finish.

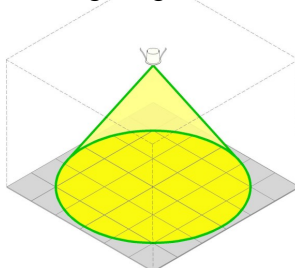
**Part Number:**

- DLLX-CANBESAPIR**
- DLLX-CANBESAPIR/BLK**
- DLLX-CANBESAPIR/GALV**
- DLLX-CANBESAPIR/HB**

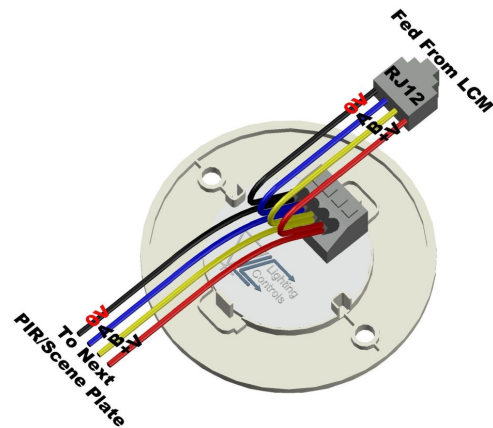
- White**
- Black**
- Galvanised**
- High Bay**



**Detection Range 6m at 2.8m Ceiling Height**



- A visual alert to show when a device has not been addressed.
- Device ID is set during commissioning using an IR tool
- The walk-test mode, indicated by an LED, assists when configuring the detector.
- Connected via a cage clamp on the rear of the PIR to the LCM using 1mm<sup>2</sup>/ 4 core cable.



Supply voltage	9-30 VDC
Power Consumption	120mW
Max number of devices (2-wire connection)	6
Fitting hole size	besa mounted
Temperature range	-10°C to 35°C
Max humidity	90% CH (non-condensing)

**IMPORTANT:** Information contained in this datasheet is subject to change at any time without notice. Installation guides are available - call us on 020 087 8084.