

ArcLUX 5

TECHNICAL DATA SHEET

81 x 81mm

- Architectural low glare downlight
- Light Distribution: Direct
- Discreet minimal bezel
- Housing: Aluminium
- Colour: Black baffle
(Custom RAL available)



ELECTRICAL DATA

Main Voltage:	220-240V, 0/50/60Hz
Power Factor:	>0,95
Integrated Sensor:	Available

System power*, W:	6.5w to 13.5w
Control gear:	ECG On/off or Dali

LIGHTING DATA

Luminaire output*,lm(ta+25°C):	625lm to 1325lm
CRI (Ra):	80+, CRI90 on request
SDCM:	3
Distribution Type:	Direct
UGR Index:	<10

System efficacy, lm/W:	Up to 120
CCT, K:	2700/3000/4000
Light Distribution:	Direct
LED lifetime, h:	55000/L90F10

TECHNICAL DATA

Dimensions, mm:	L81 W81 H95
Net weight, kg:	0.3

Quantity in package, pcs:	1
---------------------------	---

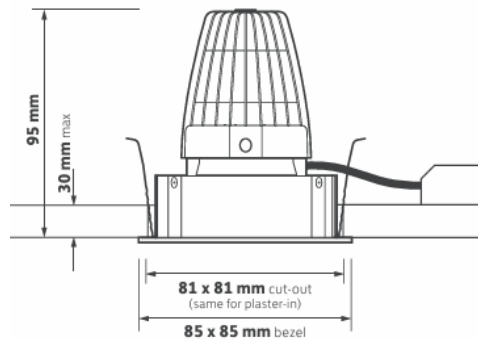
STANDARDS

Operating temperature range, °C:	ta0...+35
Ingress protection code:	IP44

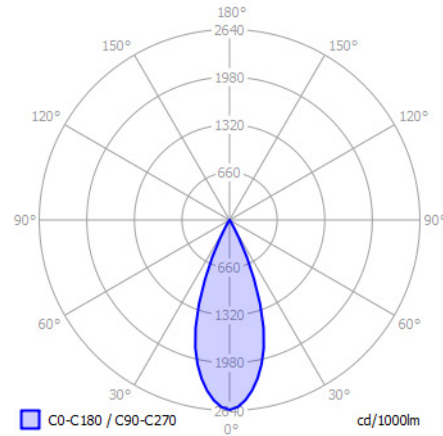
Mechanical impact resistance:	IK02
Certificates:	CE, ROHS

Note: Tolerance range for optical and electrical data: $\pm 10\%$. 4C LIGHTING SOLUTIONS is constantly developing and improving its products. The right is reserved to change any product specifications without prior notification.

TECHNICAL DRAWING



LIGHT DISTRIBUTION CURVE



PRODUCTS

COLOUR (K)	LUMINAIRE OUTPUT (LLM)	POWER (W)	EFFICACY (LLM/W)	PART CODE
2700	625	8	78	ARLX5/625/2.7K
2700	850	10	85	ARLX5/850/2.7K
2700	1150	13.5	85	ARLX5/1150/2.7K
3000	650	6.5	100	ARLX5/650/3K
3000	850	7.5	113	ARLX5/850/3K
3000	1250	11.5	109	ARLX5/1250/3K
4000	700	6.5	108	ARLX5/700/4K
4000	900	7.5	120	ARLX5/900/4K
4000	1325	11.5	115	ARLX5/1325/4K

OPTIONS

	PART CODE
DALI driver	/DD
3 Hour emergency	/E3S
3 hour DALI emergency	/E3D
4C MESH	/MM

	PART CODE
4C MESH with Sensor	/MMS
Integrated DALI sensor	/IDS
Custom RAL Baffle	/RAL

EXAMPLE PART CODE: ARLX5/700/4K/DD/E3D

Note: Tolerance range for optical and electrical data: $\pm 10\%$. 4C LIGHTING SOLUTIONS is constantly developing and improving its products. The right is reserved to change any product specifications without prior notification.