

# ArcLUX 12

## TECHNICAL DATA SHEET

323mm

- Mini linear downlight, Plaster in, Low glare, ultra slim
- Light Distribution: Direct
- Optical System: 30° medium beam lens
- Housing: Aluminium
- Colour: Black Baffle



### ELECTRICAL DATA

Main Voltage:	220-240V, 0/50/60Hz
Power Factor:	>0,95
Integrated Sensor:	Available

System power*, W:	13.5w to 22.9w
Control gear:	ECG On/off or Dali

### LIGHTING DATA

Luminaire output*,lm(ta+25°C):	1049lm to 2099lm
CRI (Ra):	CRI90
SDCM:	3
Distribution Type:	Direct
UGR Index:	<14

System efficacy, lm/W:	Up to 91.5
CCT, K:	3000 to 4000
Light Distribution:	Direct
Beam Angle °:	30° (10°, 15° and 50° available)
LED lifetime, h:	60000/L80/F50

### TECHNICAL DATA

Dimensions, mm:	L:323mm W:41mm H:62mm
Net weight, kg:	0.7

Quantity in package, pcs:	1
---------------------------	---

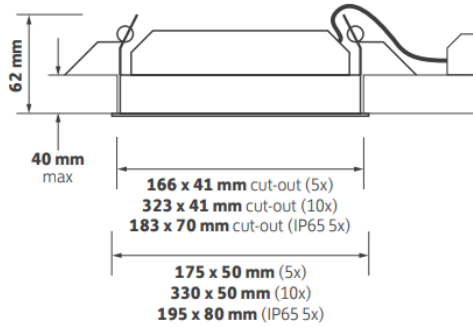
### STANDARDS

Operating temperature range, °C:	ta -25...+35
Ingress protection code:	IP44

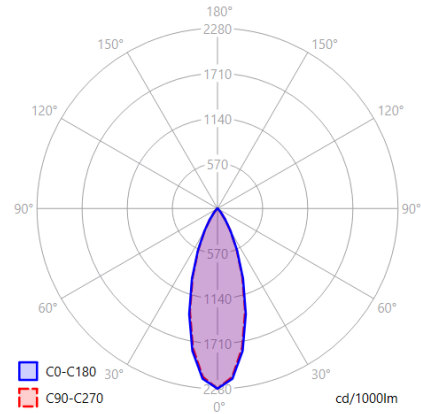
Certificates:	CE, ROHS
---------------	----------

**Note:** Tolerance range for optical and electrical data:  $\pm 10\%$ . 4C LIGHTING SOLUTIONS is constantly developing and improving its products. The right is reserved to change any product specifications without prior notification.

### TECHNICAL DRAWING



### LIGHT DISTRIBUTION CURVE



### PRODUCTS

COLOUR (K)	LUMINAIRE OUTPUT (LLM)	POWER (W)	EFFICACY (LLM/W)	PART CODE
3000	1049	13.5	77.8	ARLX12/323/1050/3K
3000	2099	22.9	91.5	ARLX12/323/2100/3K
4000	1049	13.5	77.8	ARLX12/323/1050/4K
4000	2099	22.9	91.5	ARLX12/323/2100/4K

### OPTIONS

	PART CODE
DALI driver	/DD
3 Hour emergency	/E3S
3 hour DALI emergency	/E3D
4C MESH	/MM
4C MESH with Sensor	/MMS

	PART CODE
Integrated DALI sensor	/IDS
Custom RAL Bezel or Baffle	/RAL
10° / 15° / 50° Beam Lens	/NB1 /NB2 /NB3

**EXAMPLE PART CODE:** ARLX12/323/1050/4K/DD/E3D

**Note:** Tolerance range for optical and electrical data:  $\pm 10\%$ . 4C LIGHTING SOLUTIONS is constantly developing and improving its products. The right is reserved to change any product specifications without prior notification.