

ArcLUX 11

TECHNICAL DATA SHEET

330mm

- Mini linear downlight, Low glare, ultra slim
- Light Distribution: Direct
- Optical System: 30° medium beam lens
- Housing: Aluminium
- Colour: White Bezel, Black Baffle



ELECTRICAL DATA

Main Voltage:	220-240V, 0/50/60Hz
Power Factor:	>0,95
Integrated Sensor:	Available

System power*, W:	13.5w to 22.9w
Control gear:	ECG On/off or Dali

LIGHTING DATA

Luminaire output*,lm(ta+25°C):	1049lm to 2099lm
CRI (Ra):	CRI90
SDCM:	3
Distribution Type:	Direct
UGR Index:	<14

System efficacy, lm/W:	Up to 91.5
CCT, K:	3000 to 4000
Light Distribution:	Direct
Beam Angle °:	30° (10°, 15° and 50° available)
LED lifetime, h:	60000/L80/F50

TECHNICAL DATA

Dimensions, mm:	L:330mm W:50mm H:62mm
Net weight, kg:	0.7

Quantity in package, pcs:	1
---------------------------	---

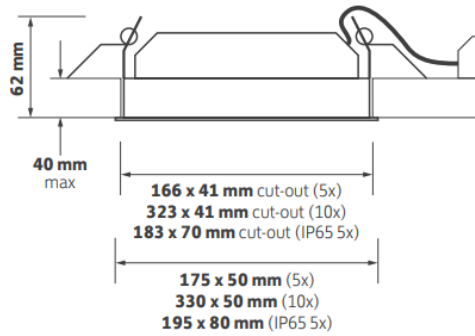
STANDARDS

Operating temperature range, °C:	ta -25...+35
Ingress protection code:	IP44

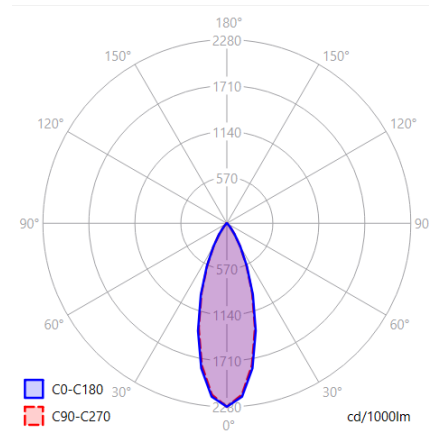
Certificates:	CE, ROHS
---------------	----------

Note: Tolerance range for optical and electrical data: $\pm 10\%$. 4C LIGHTING SOLUTIONS is constantly developing and improving its products. The right is reserved to change any product specifications without prior notification.

TECHNICAL DRAWING



LIGHT DISTRIBUTION CURVE



PRODUCTS

COLOUR (K)	LUMINAIRE OUTPUT (LLM)	POWER (W)	EFFICACY (LLM/W)	PART CODE
3000	1049	13.5	77.8	ARLX11/330/1050/3K
3000	2099	22.9	91.5	ARLX11/330/2100/3K
4000	1049	13.5	77.8	ARLX11/330/1050/4K
4000	2099	22.9	91.5	ARLX11/330/2100/4K

OPTIONS

	PART CODE
DALI driver	/DD
3 Hour emergency	/E3S
3 hour DALI emergency	/E3D
4C MESH	/MM
4C MESH with Sensor	/MMS

	PART CODE
Integrated DALI sensor	/IDS
Custom RAL Bezel or Baffle	/RAL
10° / 15° / 50° Beam Lens	/NB1 /NB2 /NB3

EXAMPLE PART CODE: ARLX11/30/1050/4K/DD/E3D

Note: Tolerance range for optical and electrical data: $\pm 10\%$. 4C LIGHTING SOLUTIONS is constantly developing and improving its products. The right is reserved to change any product specifications without prior notification.