

# ArcLUX 1

## TECHNICAL DATA SHEET

Diametre: 85mm

- Architectural low glare downlight
- Light Distribution: Direct
- Discreet minimal bezel
- Housing: Aluminium
- Colour: White bezel / black baffle  
(Custom RAL Available)



### ELECTRICAL DATA

Main Voltage:	220-240V, 0/50/60Hz
Power Factor:	>0,95
Integrated Sensor:	Available

System power*, W:	6.5w to 13.5w
Control gear:	ECG On/off or Dali

### LIGHTING DATA

Luminaire output*,lm(ta+25°C):	625lm to 1325lm
CRI (Ra):	80+, CRI90 on request
SDCM:	3
Distribution Type:	Direct
UGR Index:	<10

System efficacy, lm/W:	Up to 120
CCT, K:	2700/3000/4000
Light Distribution:	Direct
LED lifetime, h:	55000/L90F10

### TECHNICAL DATA

Dimensions, mm:	D85 H95
Net weight, kg:	0.3

Quantity in package, pcs:	1
---------------------------	---

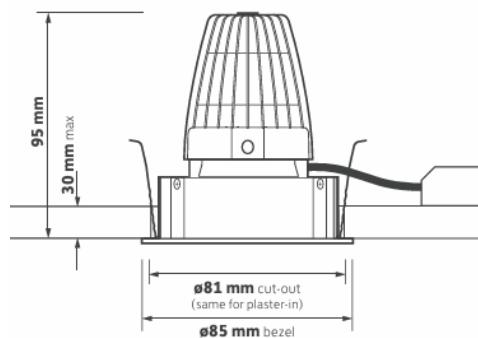
### STANDARDS

Operating temperature range, °C:	ta0...+35
Ingress protection code:	IP44

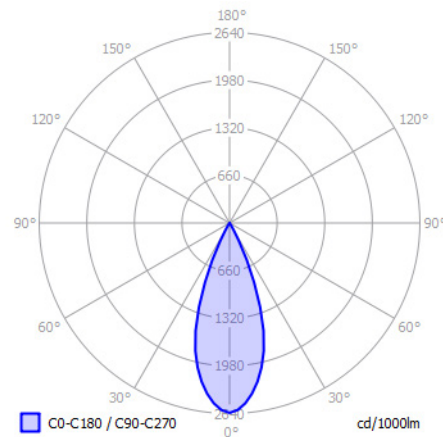
Mechanical impact resistance:	IK02
Certificates:	CE, ROHS

**Note:** Tolerance range for optical and electrical data:  $\pm 10\%$ . 4C LIGHTING SOLUTIONS is constantly developing and improving its products. The right is reserved to change any product specifications without prior notification.

### TECHNICAL DRAWING



### LIGHT DISTRIBUTION CURVE



### PRODUCTS

COLOUR (K)	LUMINAIRE OUTPUT (LLM)	POWER (W)	EFFICACY (LLM/W)	PART CODE
2700	625	8	78	ARLX1/625/2.7K
2700	850	10	85	ARLX1/850/2.7K
2700	1150	13.5	85	ARLX1/1150/2.7K
3000	650	6.5	100	ARLX1/650/3K
3000	850	7.5	113	ARLX1/850/3K
3000	1250	11.5	109	ARLX1/1250/3K
4000	700	6.5	108	ARLX1/700/4K
4000	900	7.5	120	ARLX1/900/4K
4000	1325	11.5	115	ARLX1/1325/4K

### OPTIONS

	PART CODE
DALI driver	/DD
3 Hour emergency	/E3S
3 hour DALI emergency	/E3D
4C MESH	/MM

	PART CODE
4C MESH with Sensor	/MMS
Integrated DALI sensor	/IDS
Custom RAL Bezel or Baffle	/RAL

**EXAMPLE PART CODE:** ARLX1/700/4K/DD/E3D

**Note:** Tolerance range for optical and electrical data:  $\pm 10\%$ . 4C LIGHTING SOLUTIONS is constantly developing and improving its products. The right is reserved to change any product specifications without prior notification.