

# 4 or 8 PORT NETWORK SWITCH



The DaliLUX NS4 and NS8 is a dedicated Network Switch for connection of **Cat5e** or **Cat6** cables from each Lighting Controls networked device such as the Head End (LC-HEPC) and Floor Interface (LC-TCP-IP).

Inter-floor Communication is possible when each Area Controller is terminated back to the Network Switch, meaning control devices from an entire project can operate any output elsewhere e.g. building-wide hold of Atrium lighting.

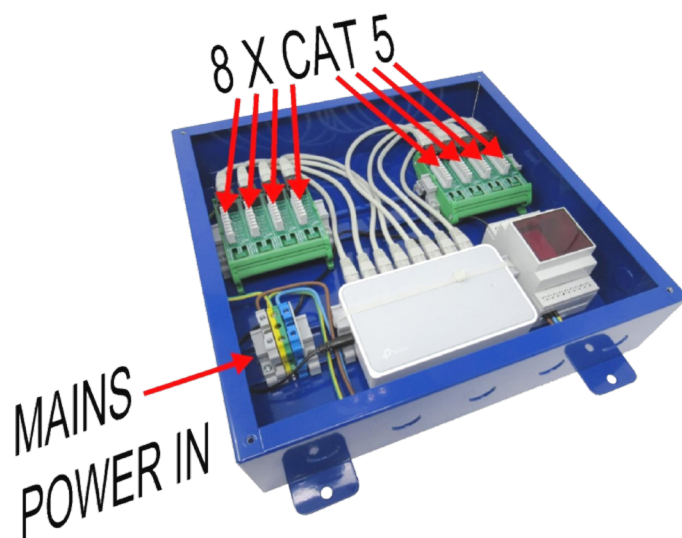
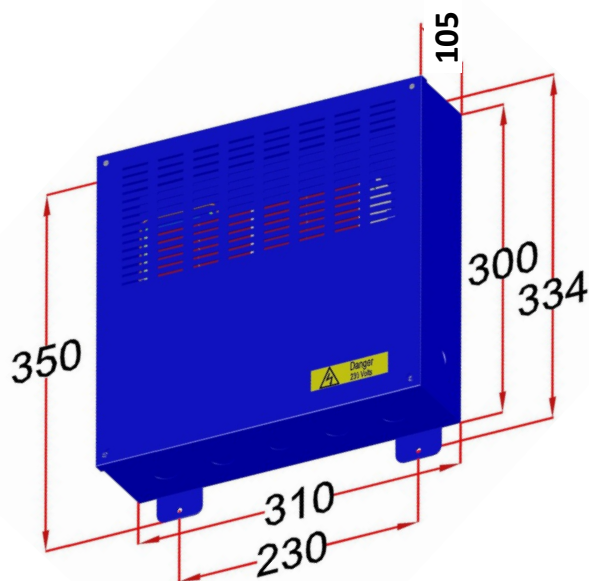
The included patching panel allows for standard punch-down terminations and networking testing.

The enclosure is wall mountable with a shallow depth for ease of installation in riser cupboards and other areas with access limitations.

**Part Number:**  
**DLLX-NS4**  
**DLLX-NS8**



- 4 or 8 Cat 5/6 ports available.
- Dedicated network switch for ethernet connection from each TCP-IP and the HEPC for linking up to 3 or 7 separate areas i.e. floors with the same building.
- Multiple cabinets can be linked for system expansion.
- Can be used to integrate with existing building networks i.e. BMS .
- Terminal wiring for mains supply
- Punch down wiring for CAT 5



Supply voltage	230-240VAC, 50Hz
Power Consumption	2W
Power Supply + Wiring	13A Fuse Spur (1m free-end lead supplied)
Number of Cat5e or Cat6 ports	4 or 8
Temperature range	0°C to 40°C
Max humidity	90% CH (non-condensing)

**IMPORTANT:** Information contained in this datasheet is subject to change at any time without notice. Installation guides are available - call us on 020 087 8084.